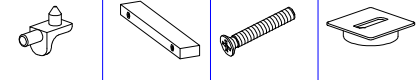


Ø 50 H27 TBL M4X30 M4X30 TC 4X27



A B C D

Ø 7 x 1,5 TSPEI M6x65 TSPEI M6x14 Ø4

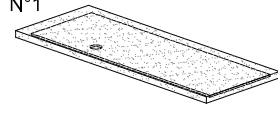
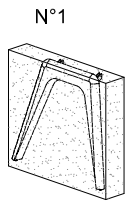
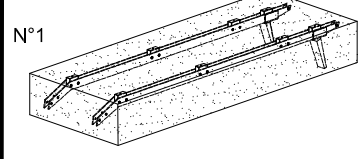
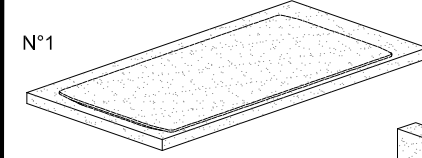
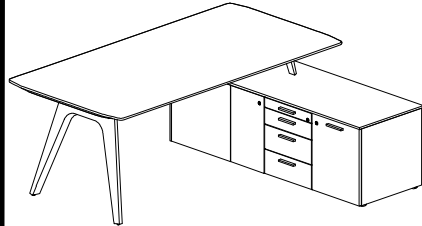


E F G H

Ø 7 x 1,5 TSPEI M6x65 TSPEI M6x14 Ø4



I J L M



CHECK LIST
4FECA049

B		2
---	--	---

CHECK LIST
4FECA046

B		4
C		4
D		4

CHECK LIST
4FEAR021

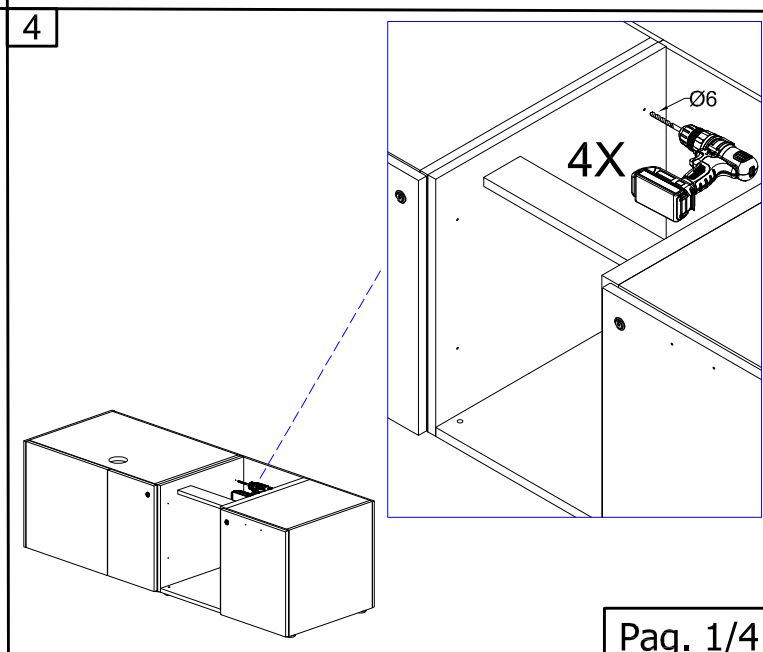
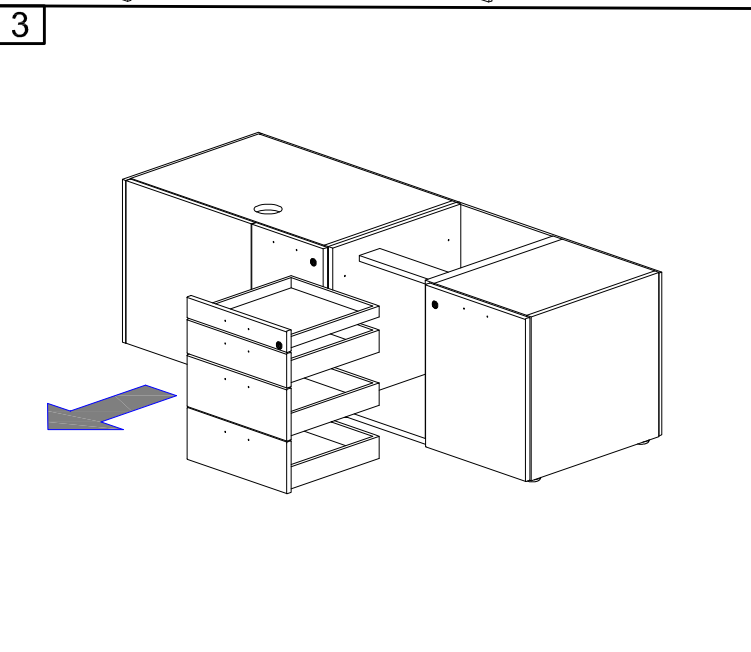
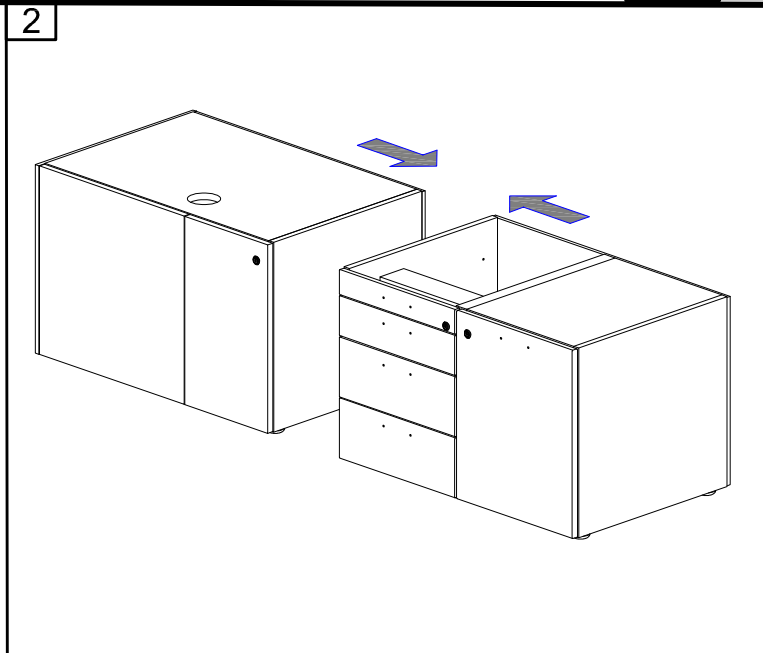
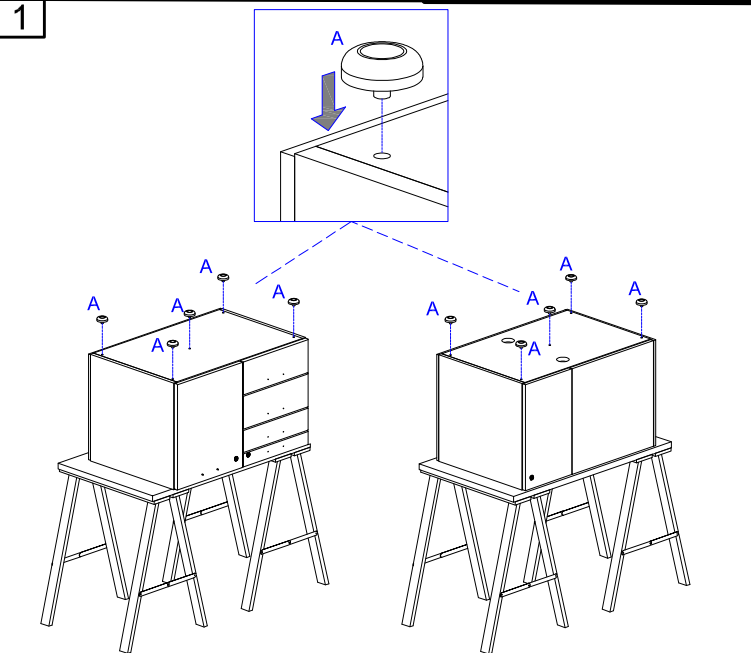
E		5
---	--	---

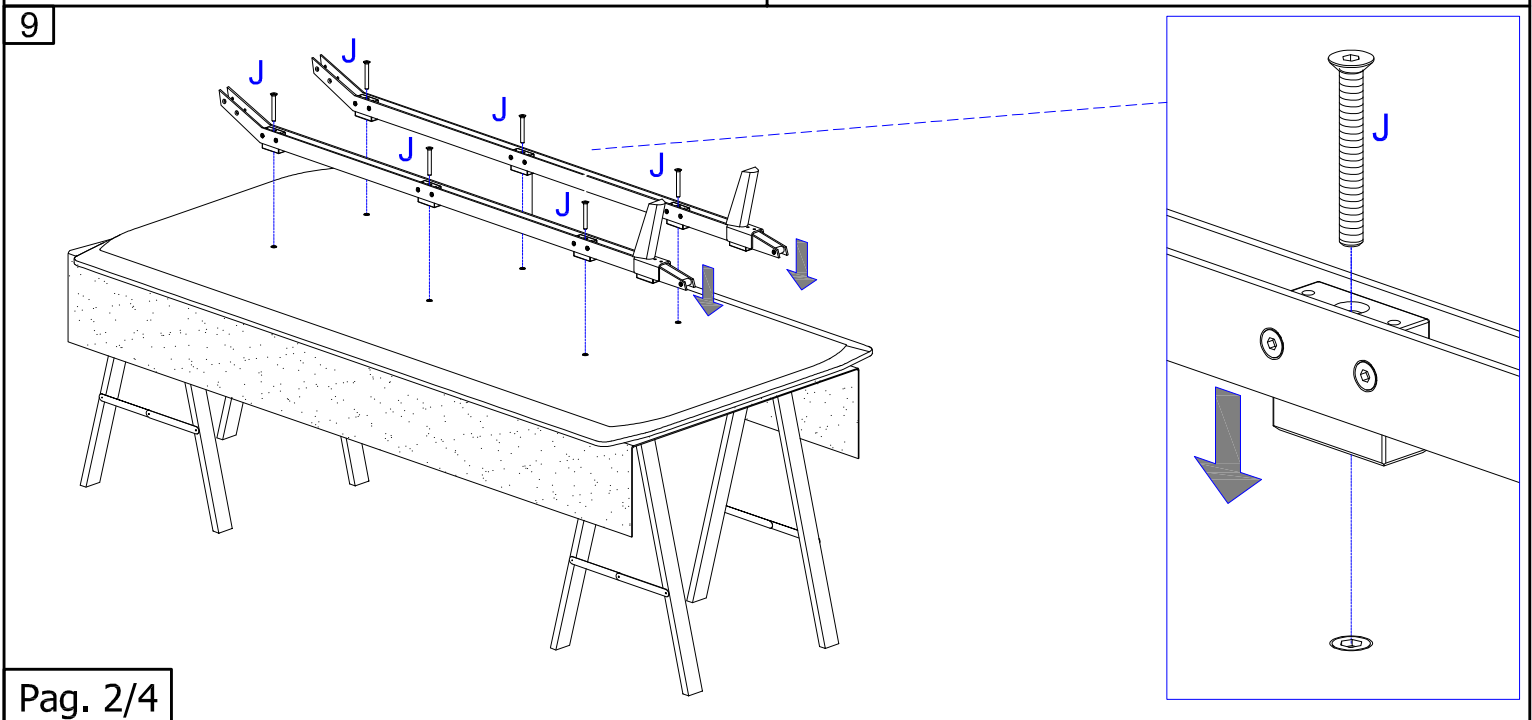
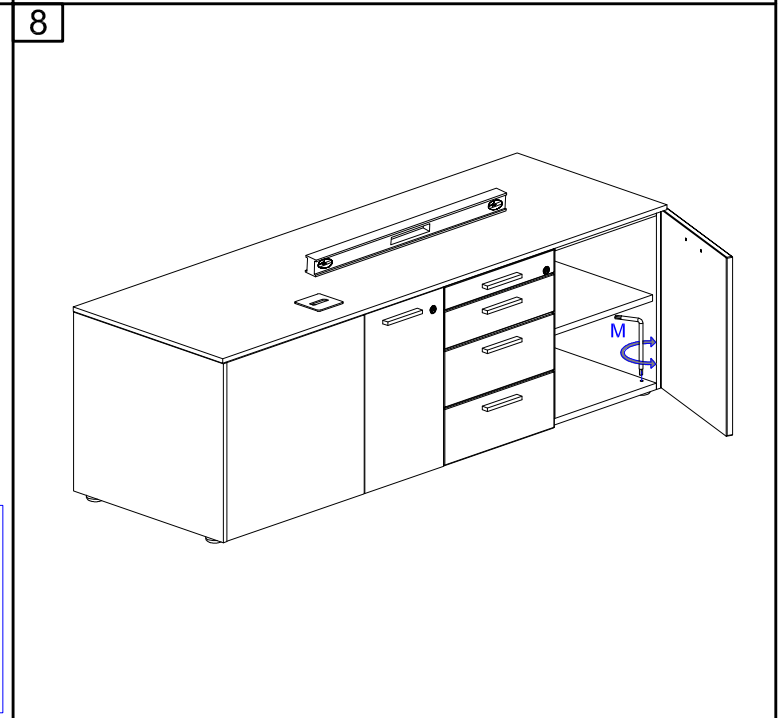
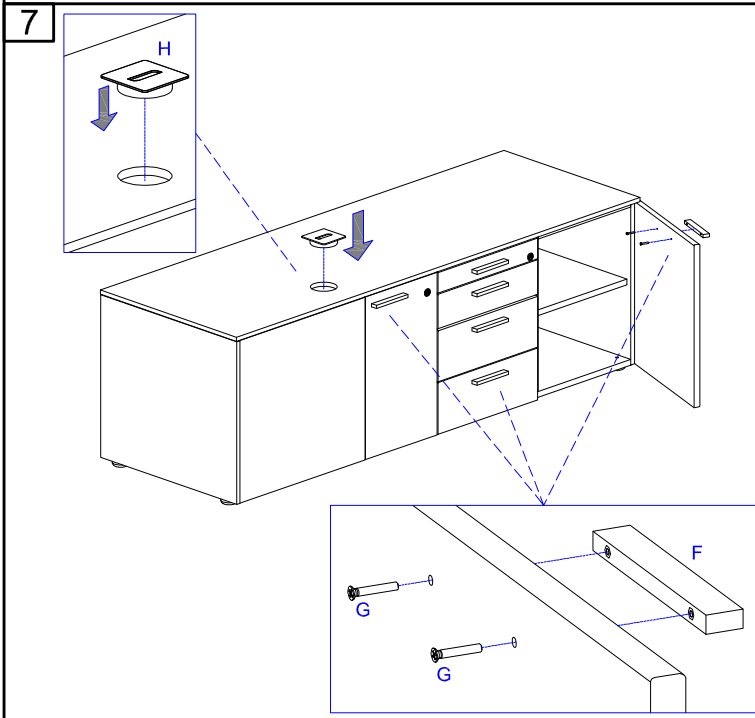
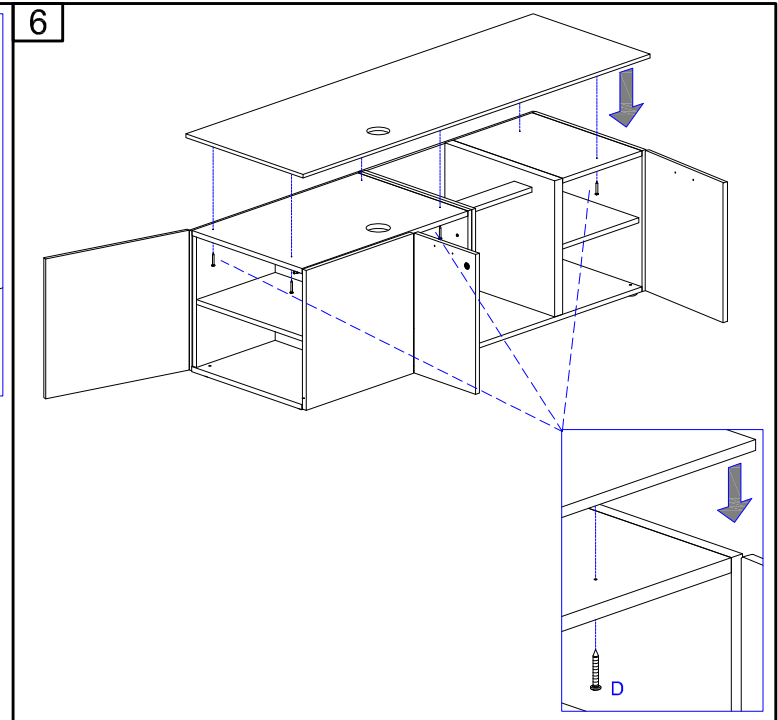
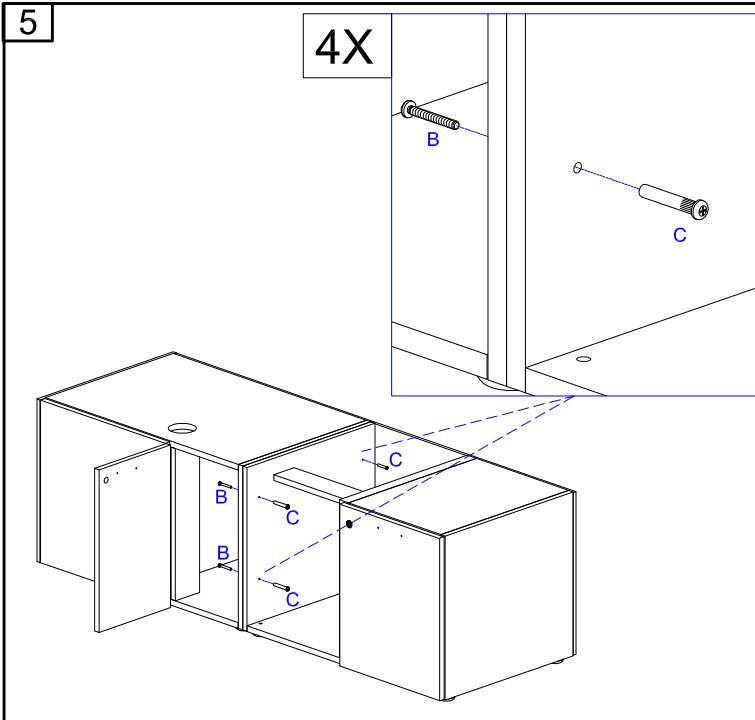
CHECK LIST
7FEMA007

F		1
G		2
I		2

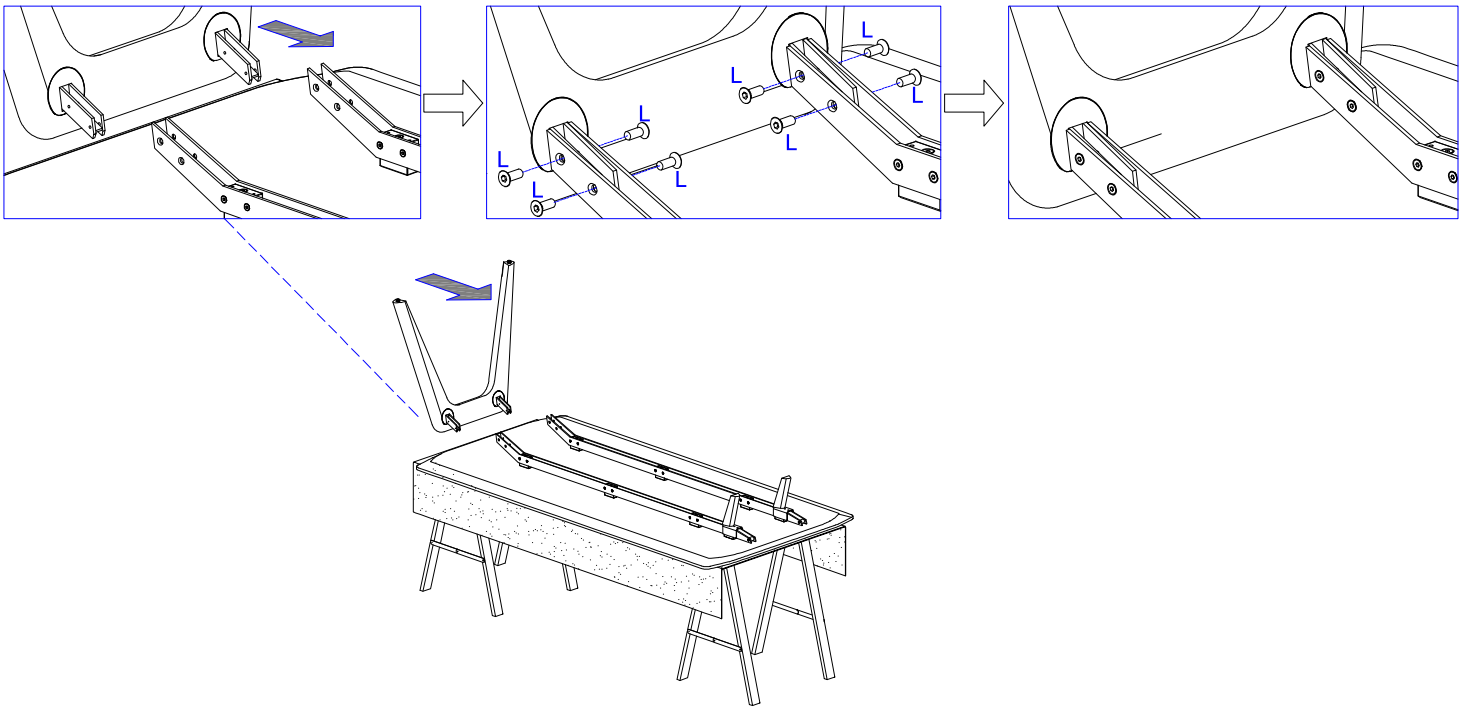
CHECK LIST
7FECA030

A		5
---	--	---

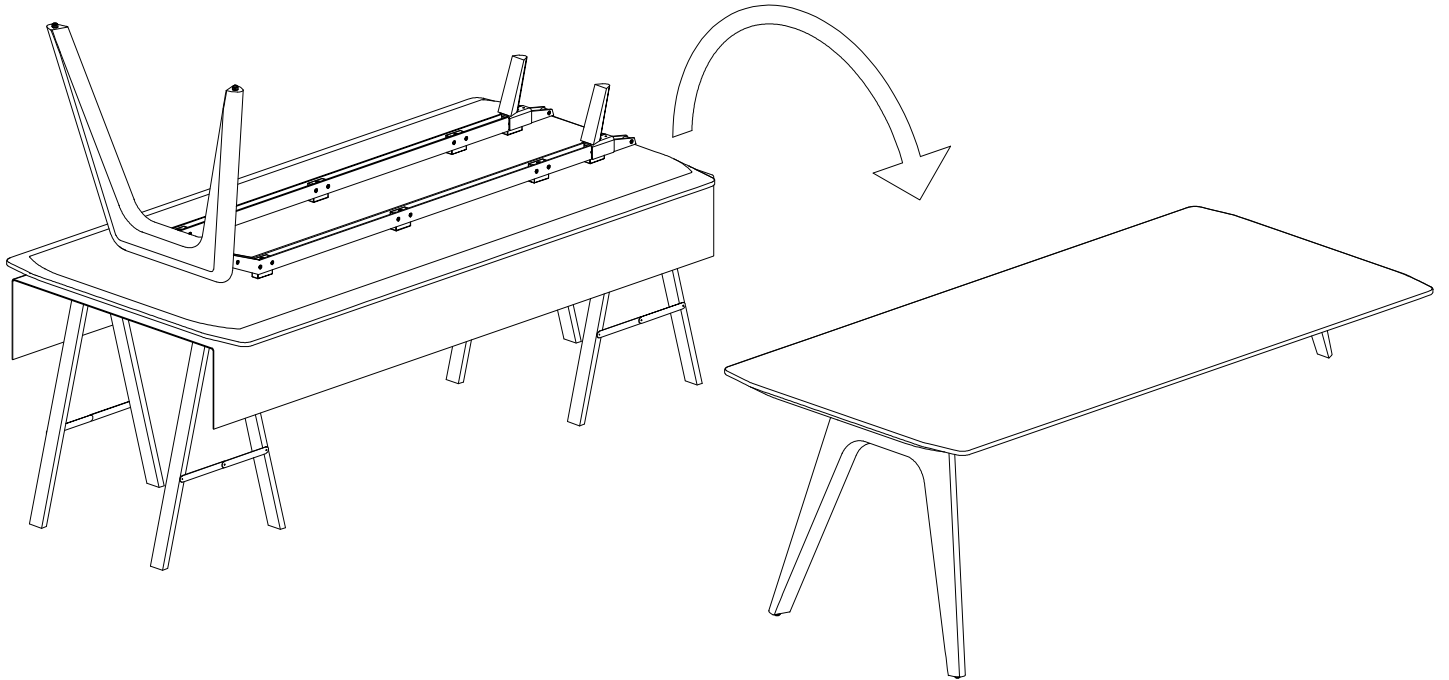




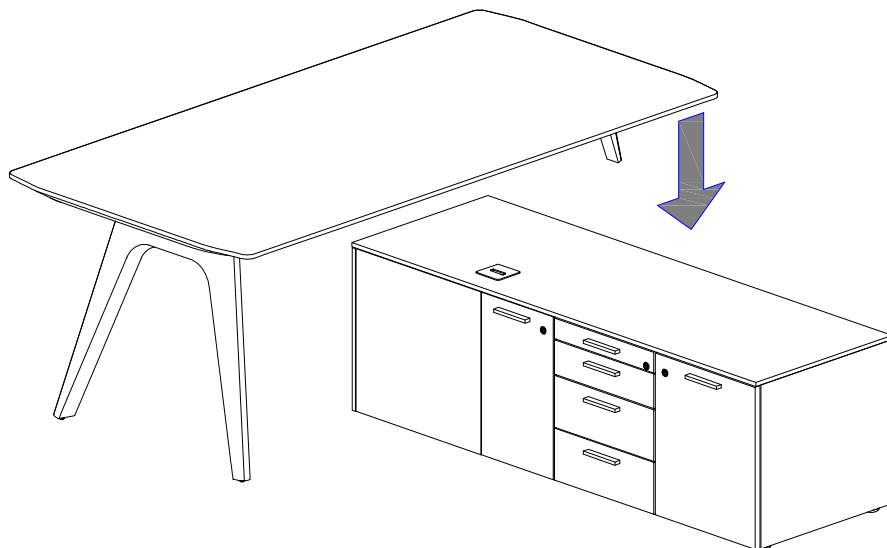
10

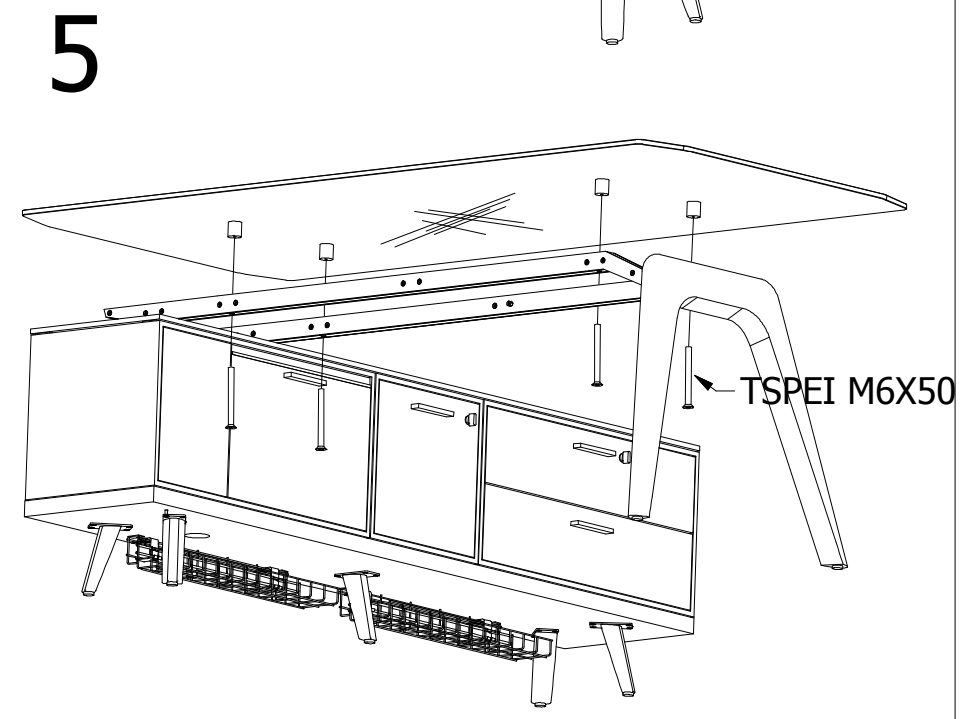
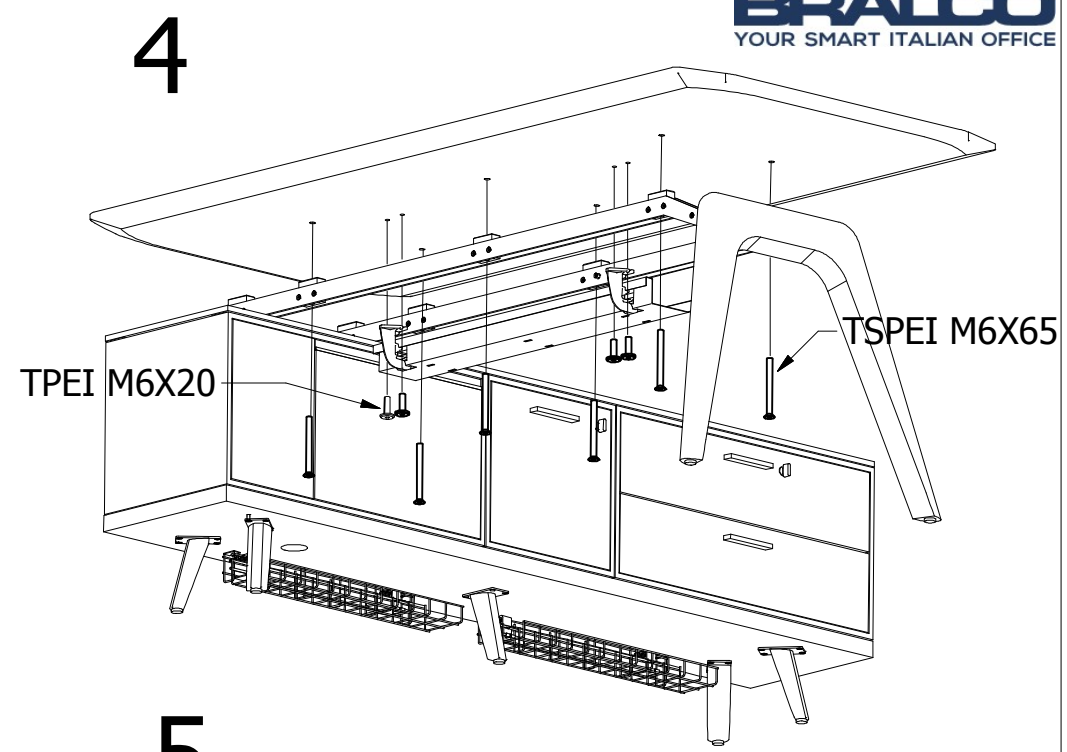
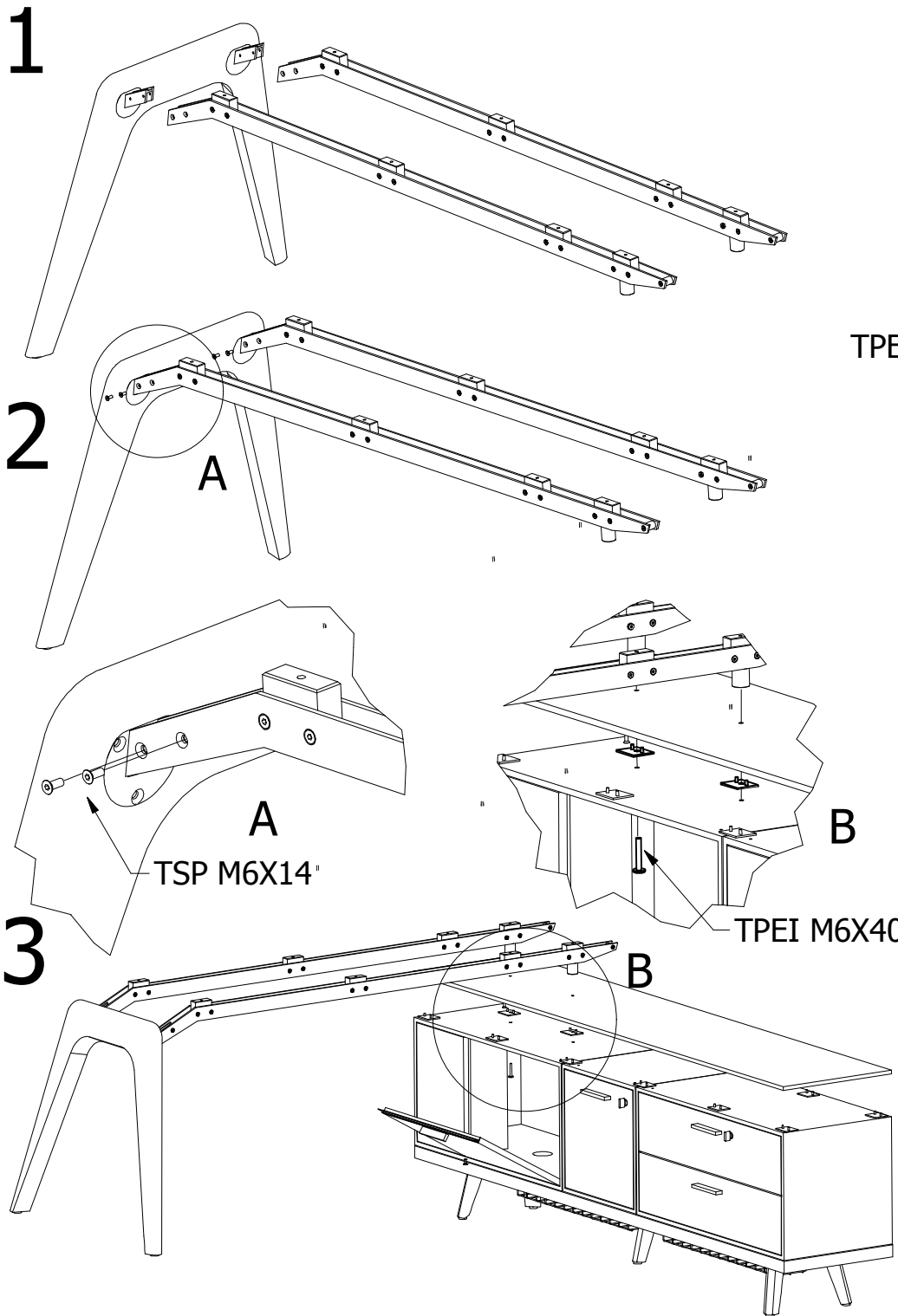


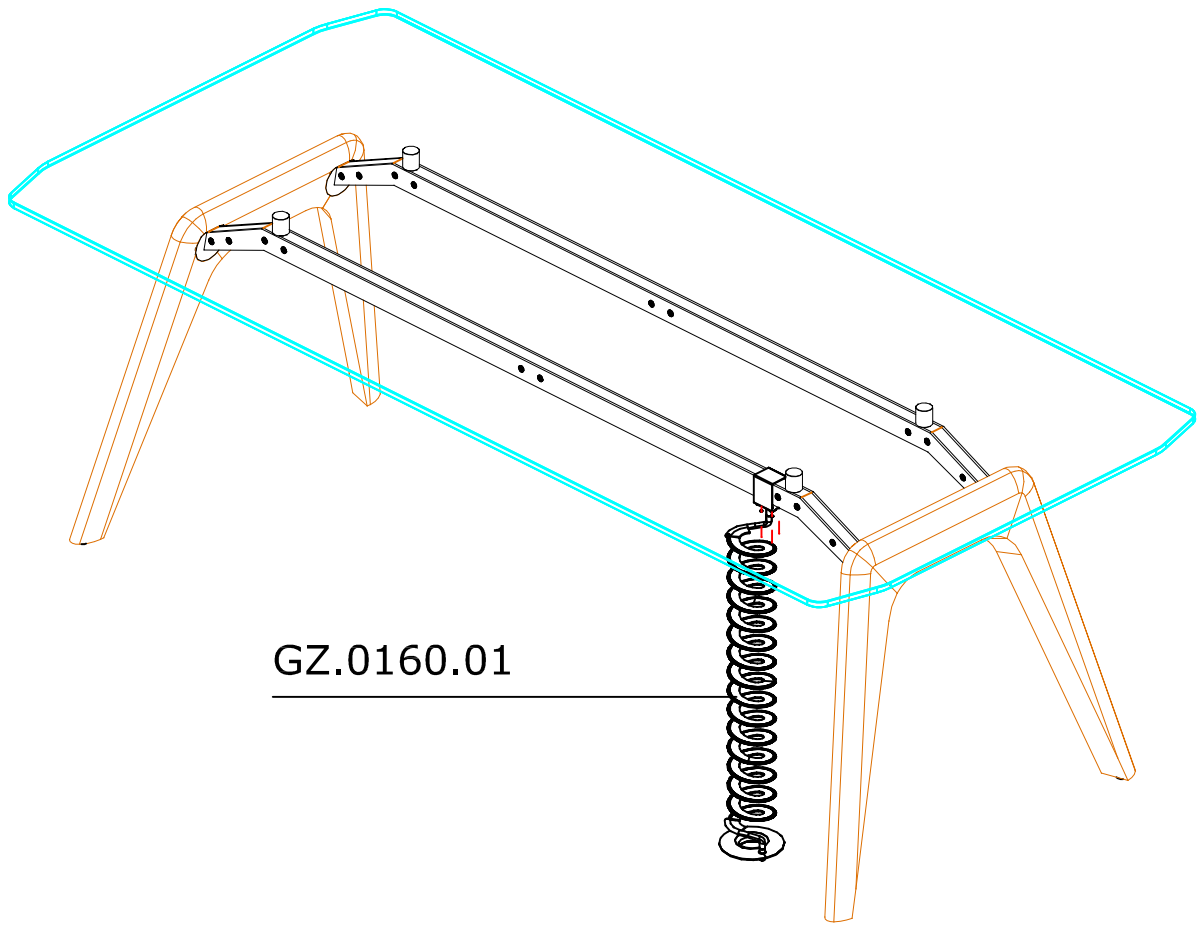
11



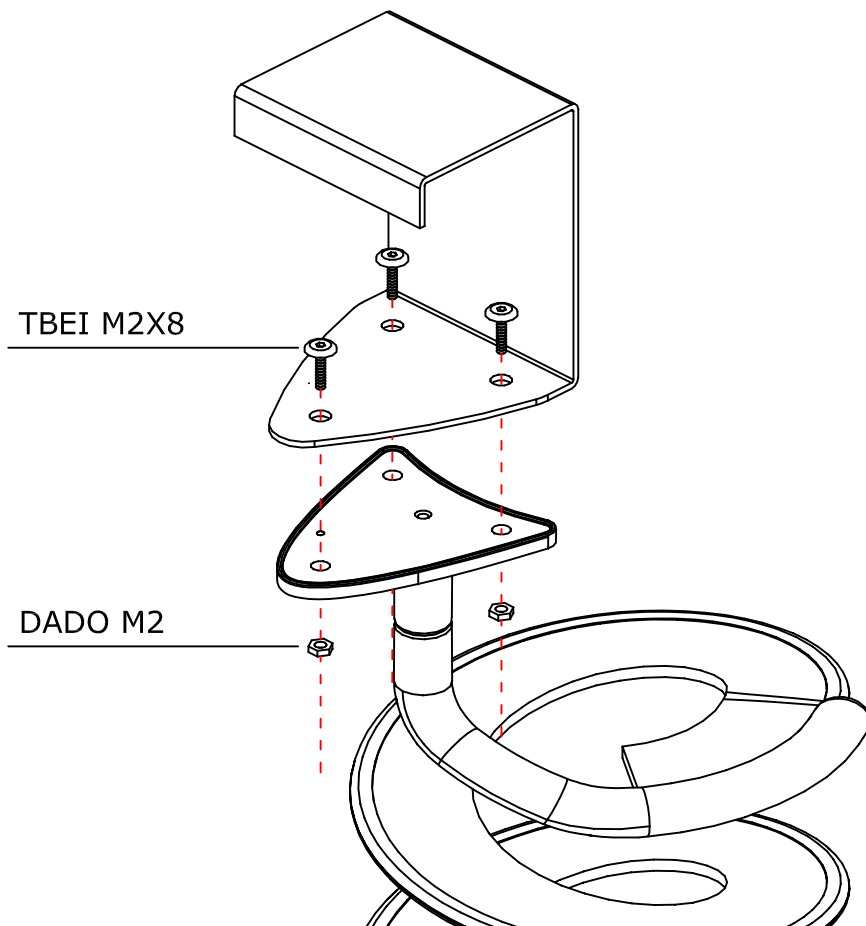
12







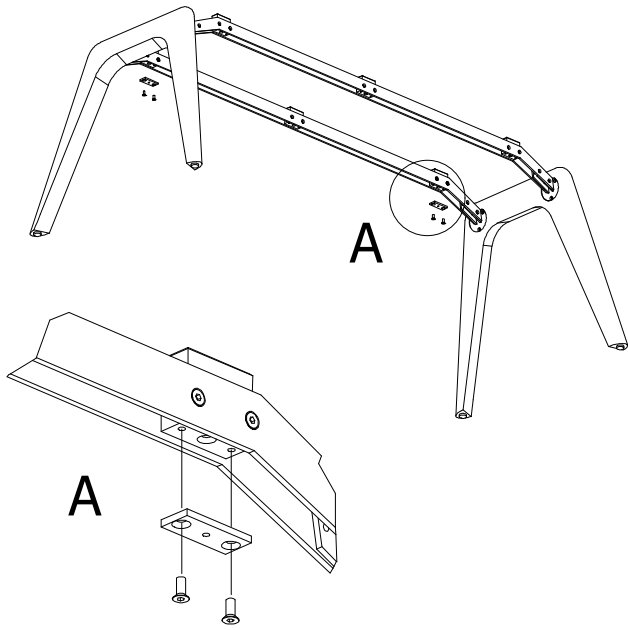
GZ.0160.01



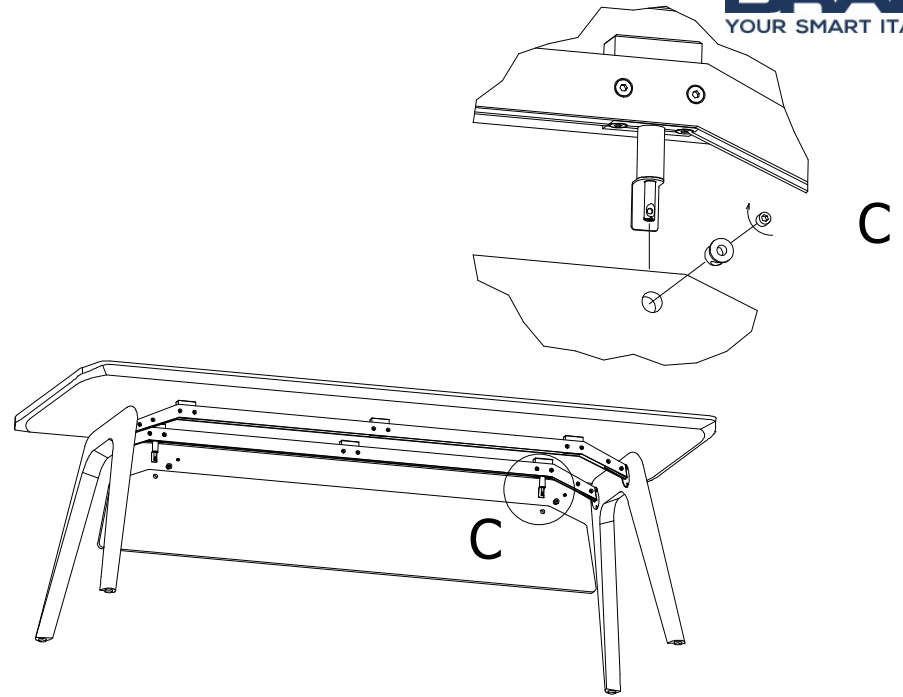
TBEI M2X8

DADO M2

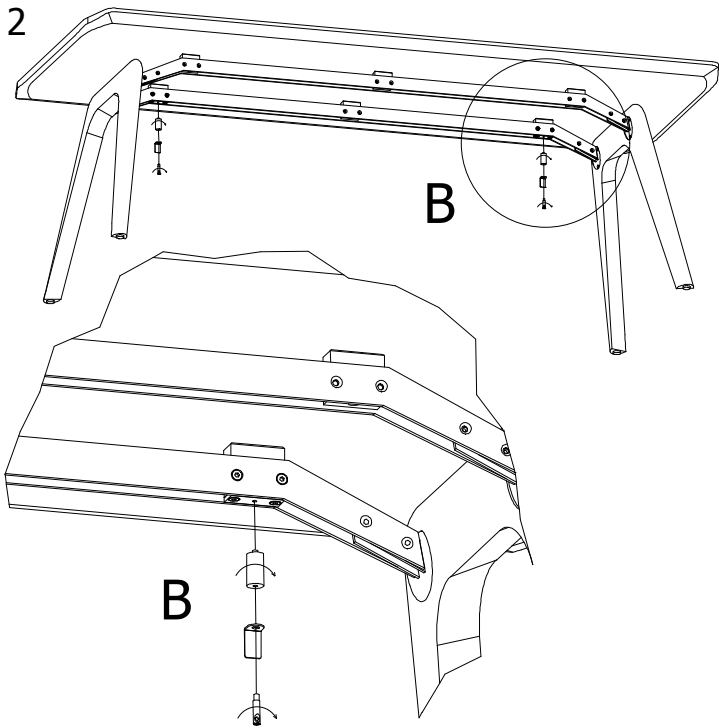
1



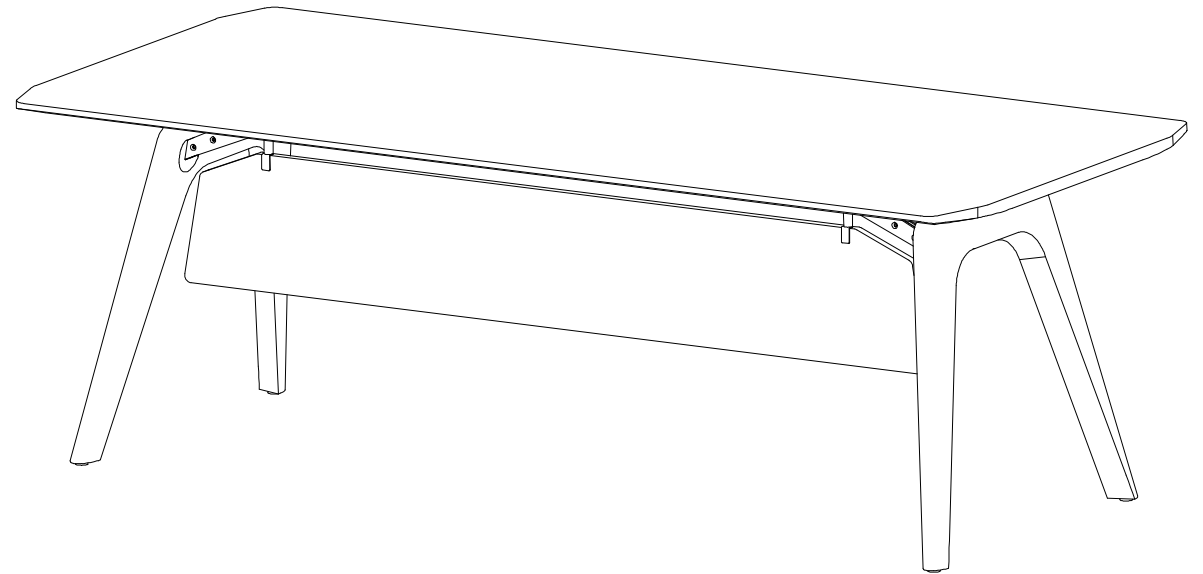
3



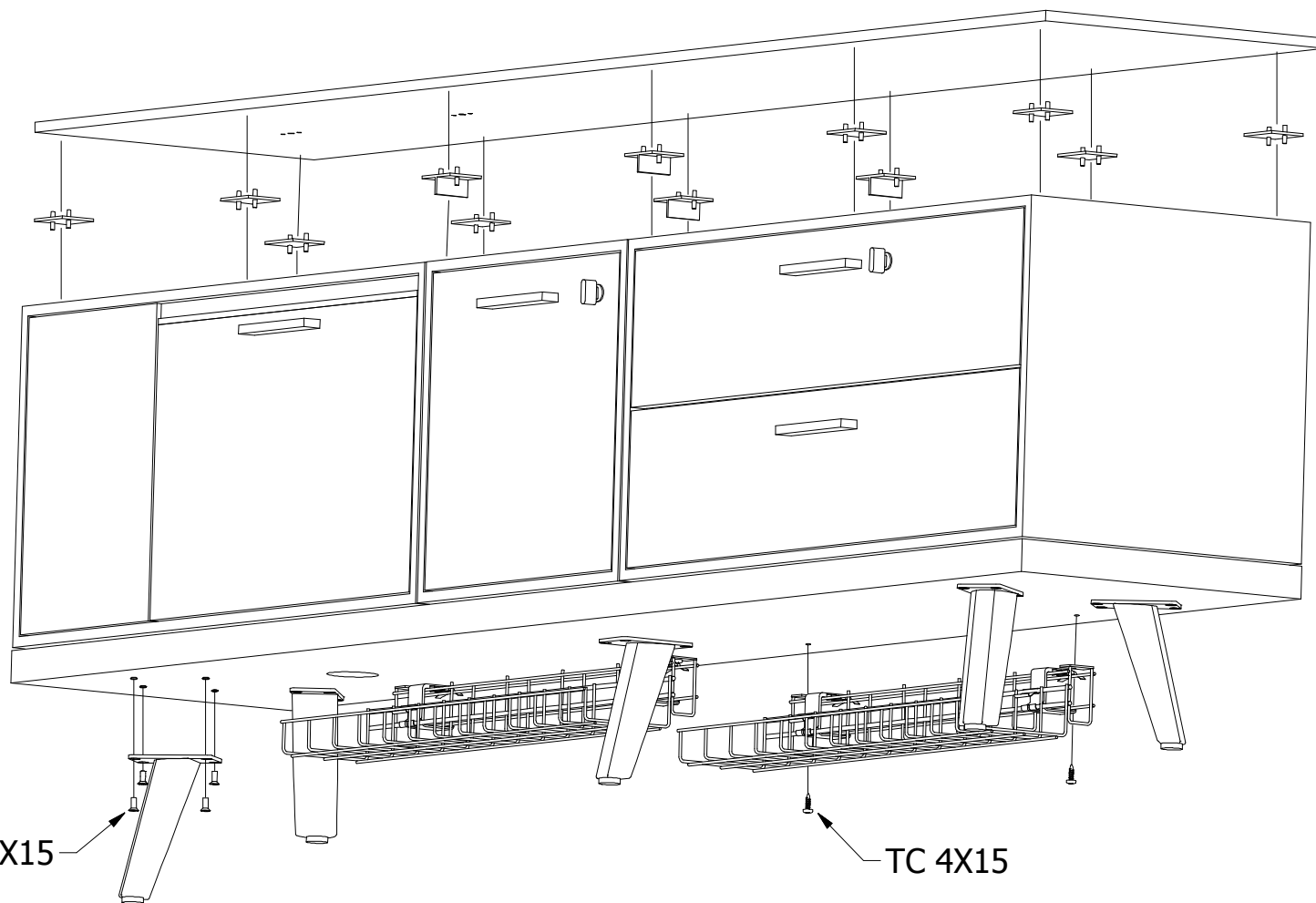
2

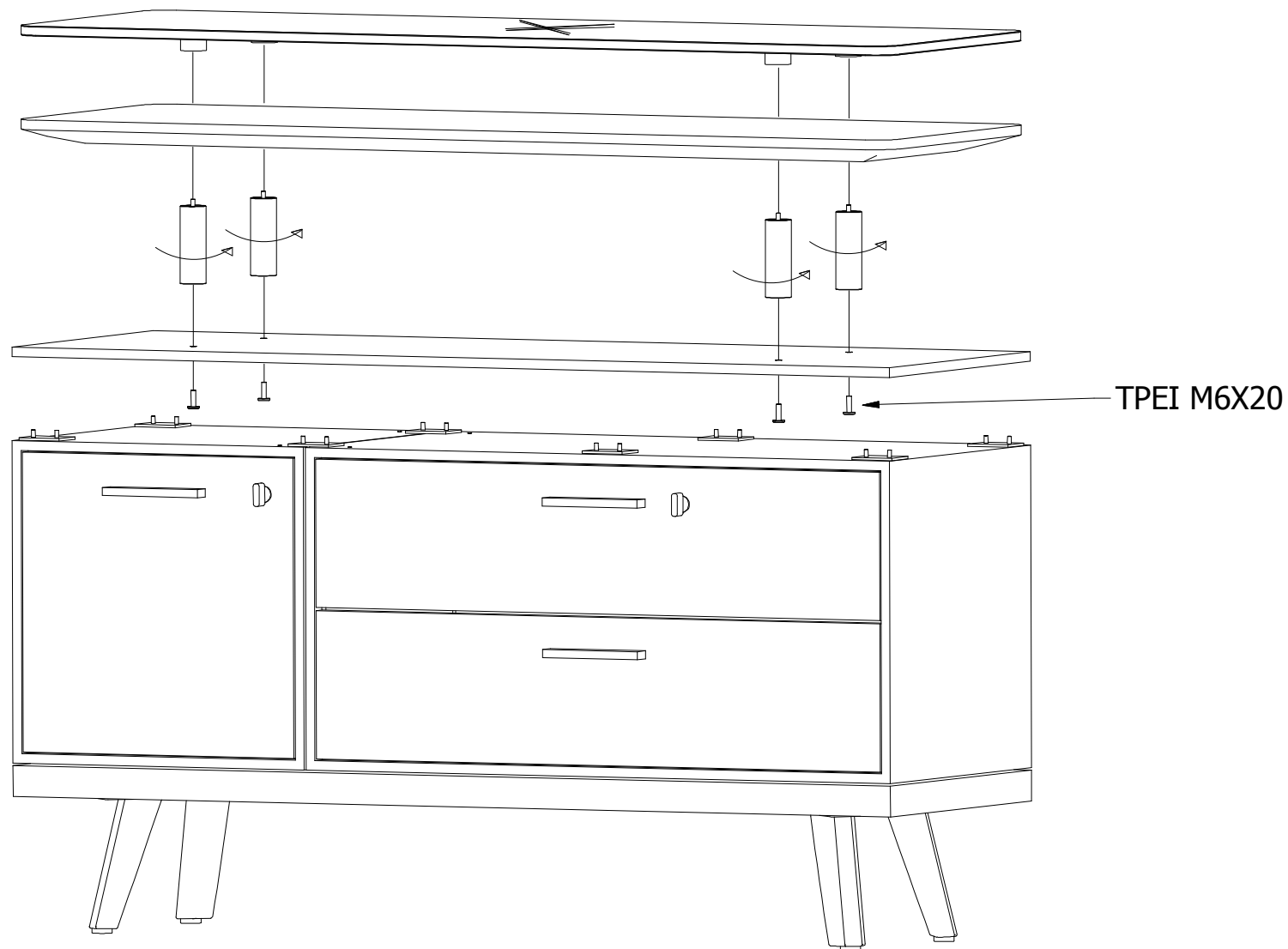


4

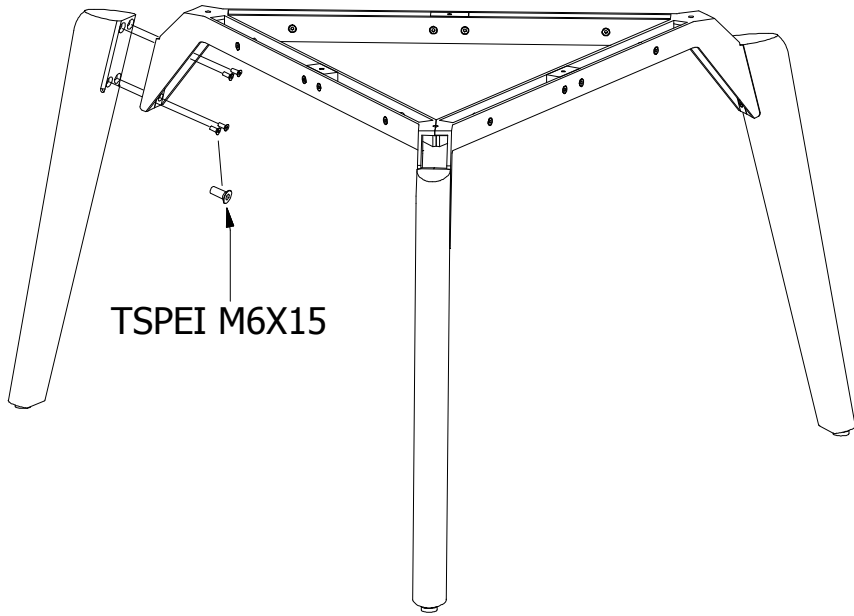


2FFSCMORA0004

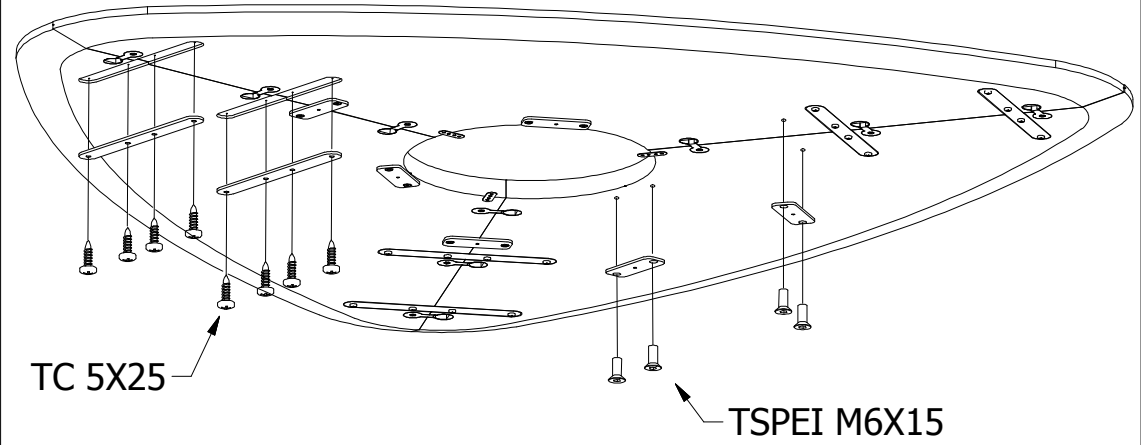




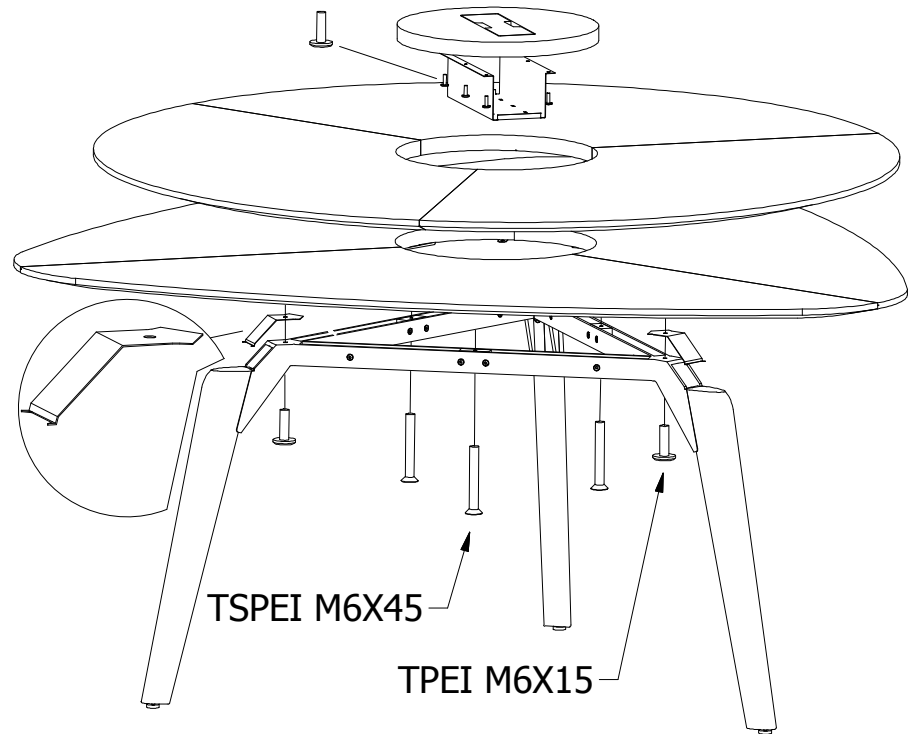
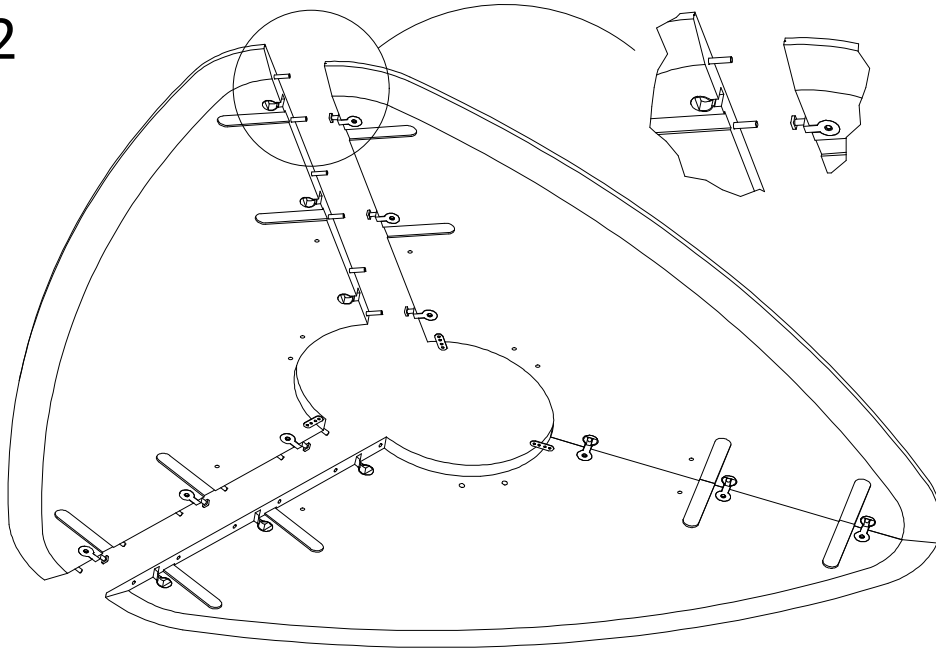
1



3

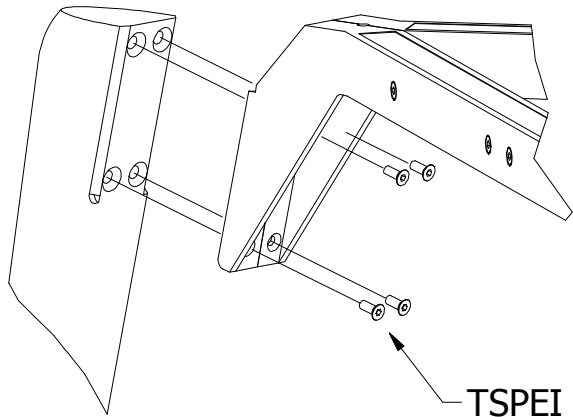


2



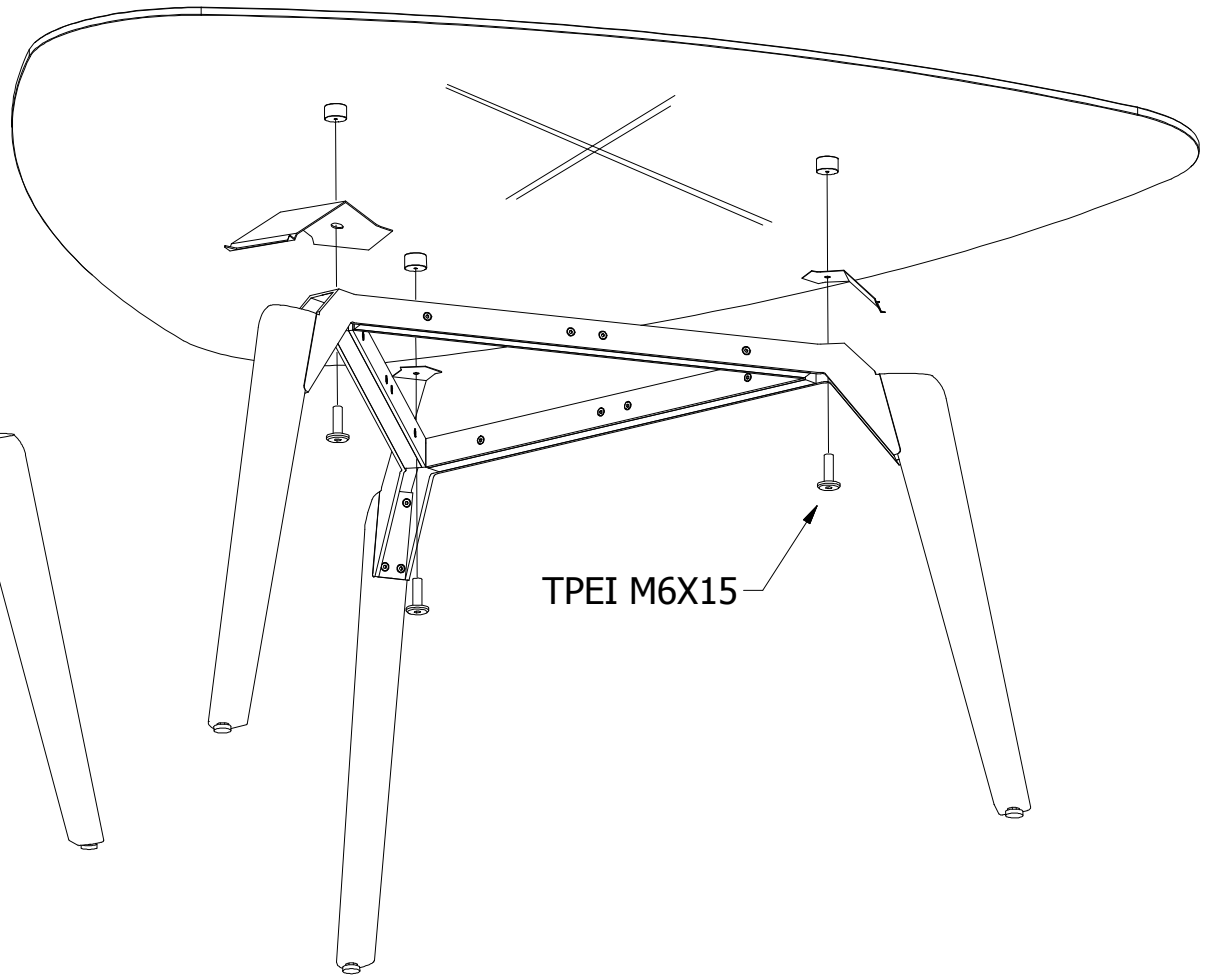
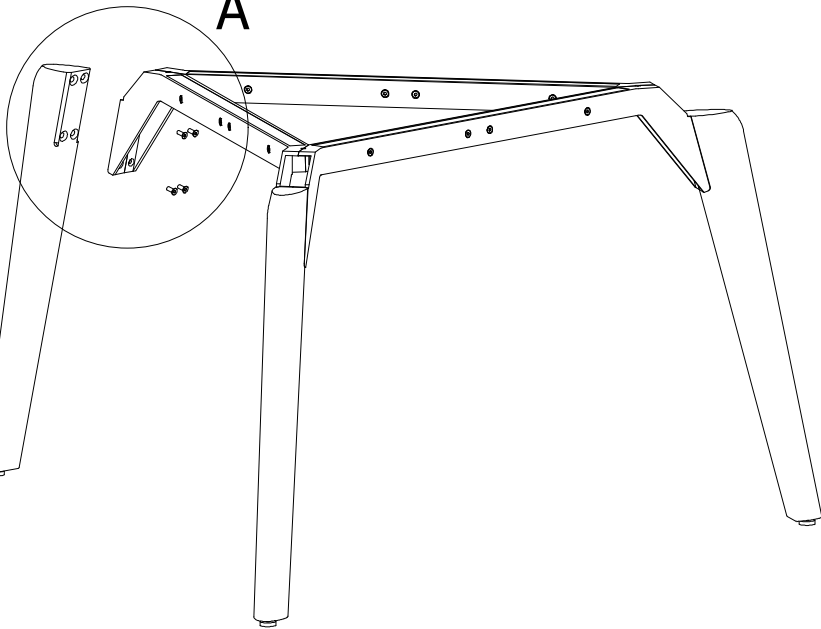
2FFSCMORA0005

A

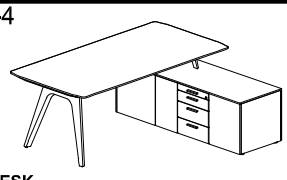


TSPEI M6X14

A



TPEI M6X15

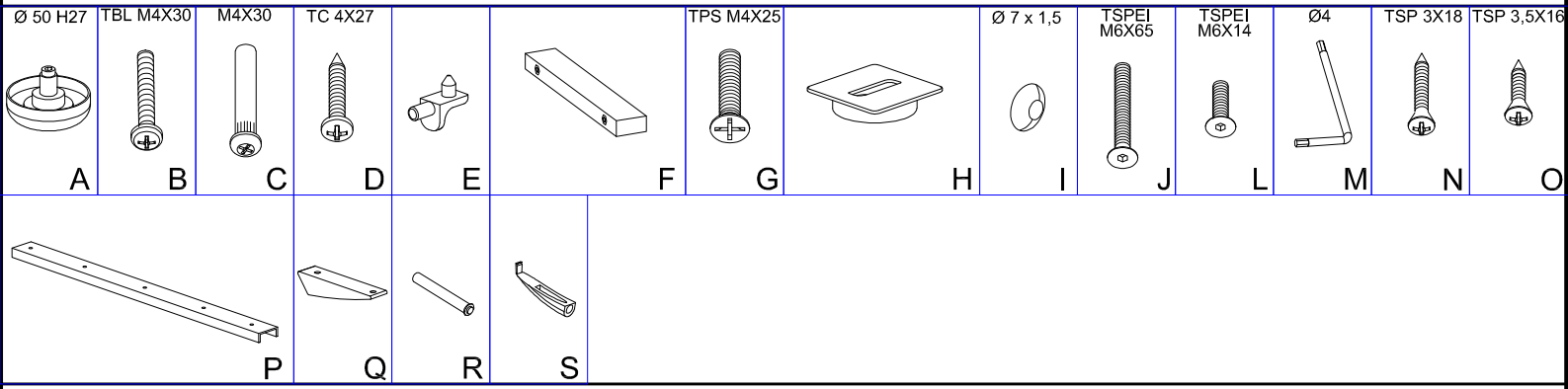


BRIDGE DESK



RETURN DESK

S2FFSCMO00058



BRIDGE DESK

CHECK LIST 4FECA049

B	2
---	---

CHECK LIST 4FEAR021

E	5
---	---

CHECK LIST 4FECA046 / S4FESP0000363

B	4
C	4
D	4

CHECK LIST S4FESP0000362

N	2
O	5
Q	1
R	1
S	1

CHECK LIST 7FEMA007

F	1
G	2
I	2

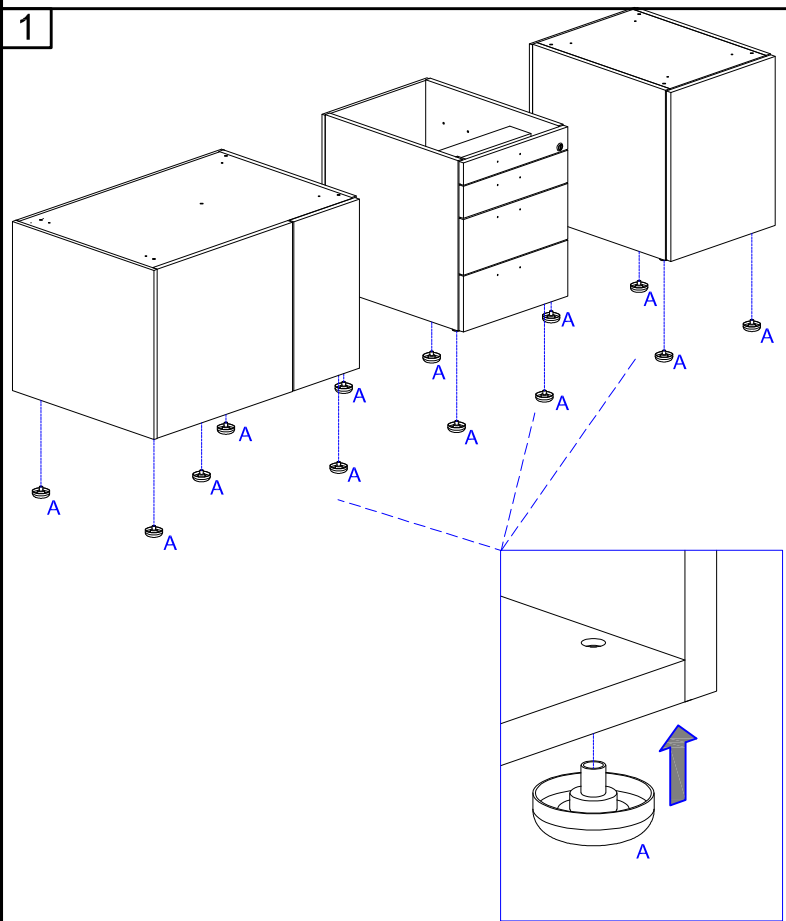
CHECK LIST 7FECA030

A	5
---	---

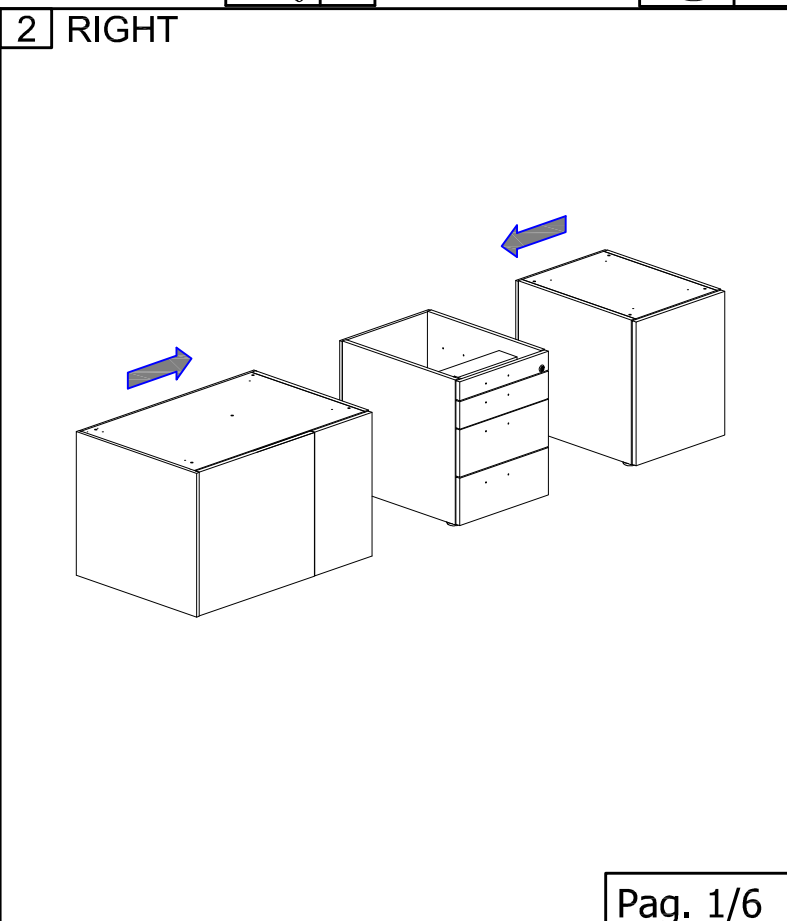
CHECK LIST 7FECA026

A	4
---	---

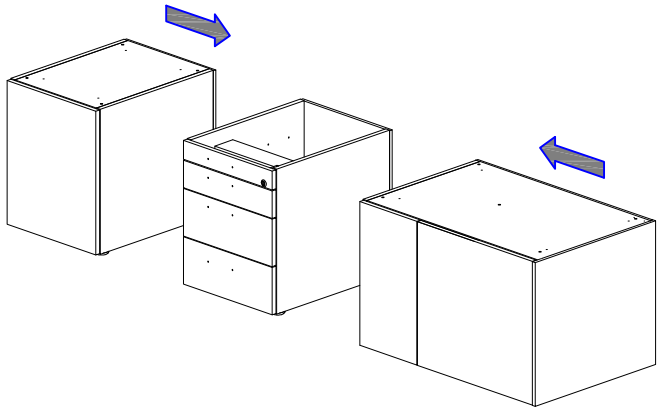
1



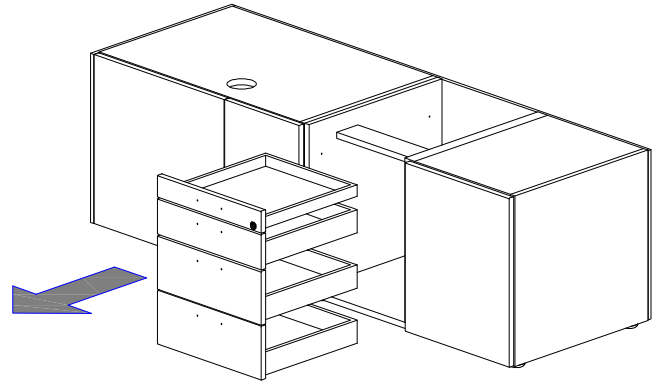
2 RIGHT



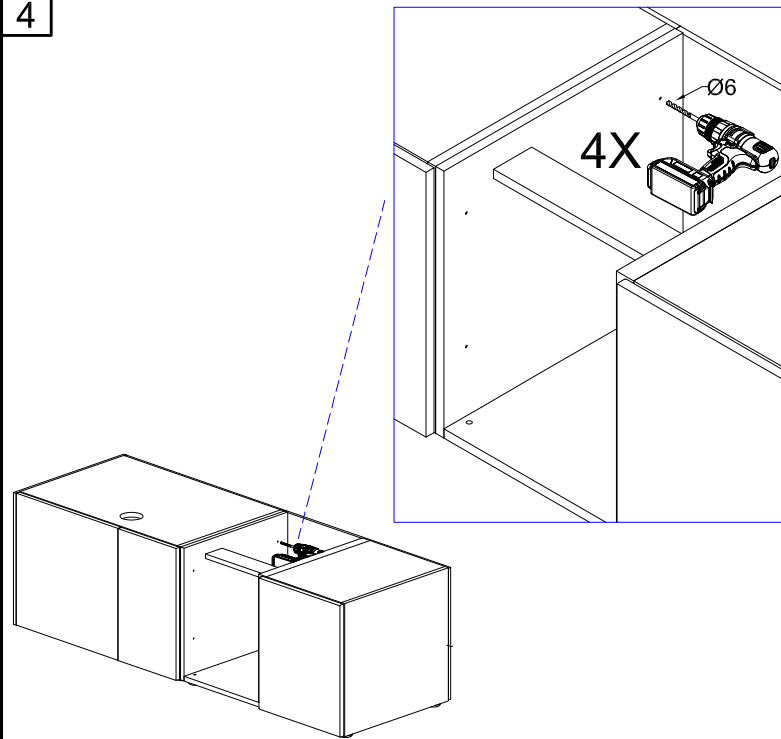
2 LEFT



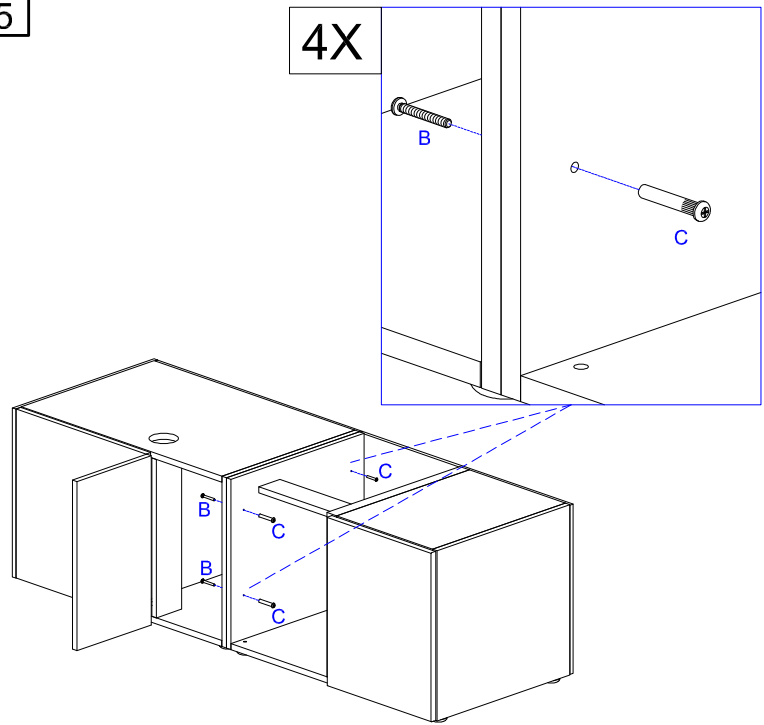
3 RIGHT



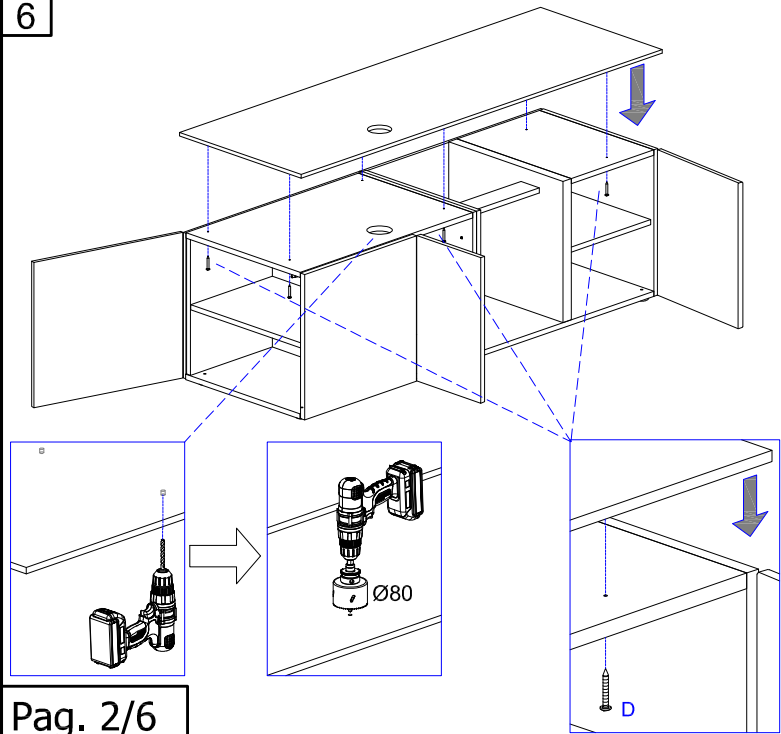
4



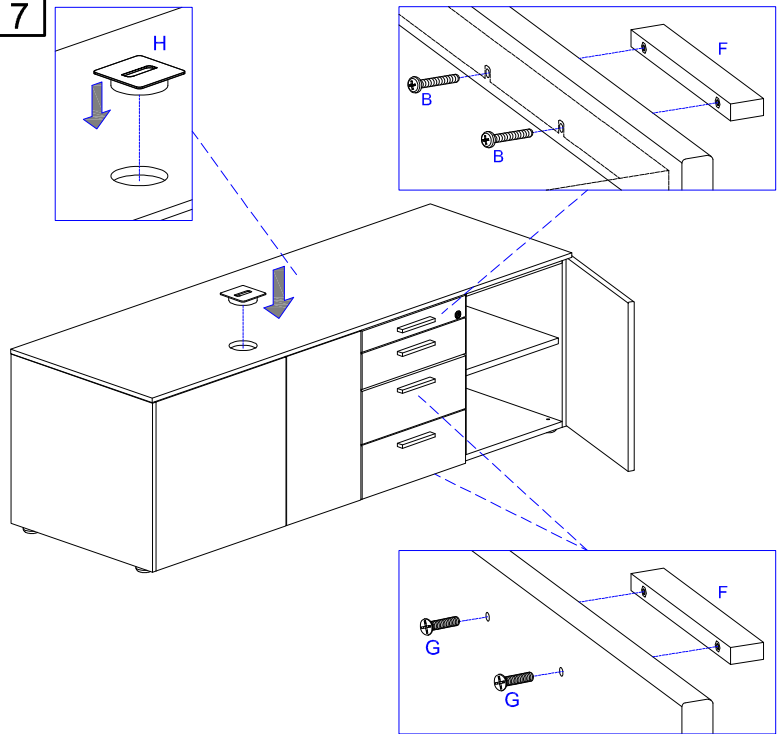
5



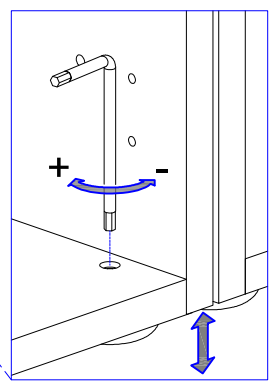
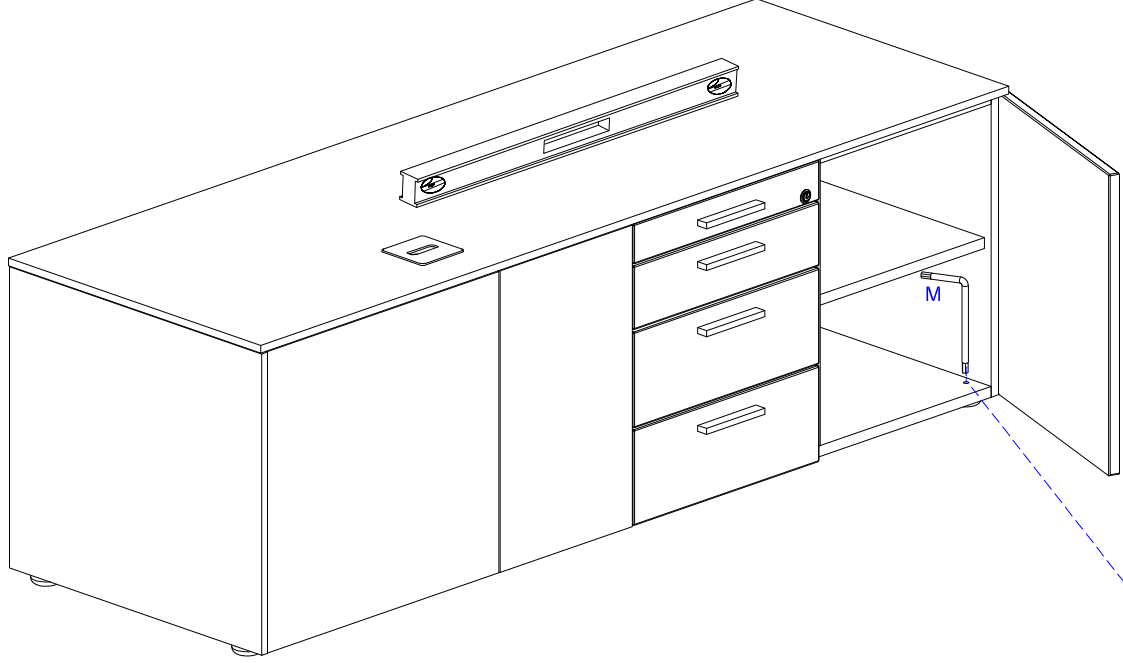
6



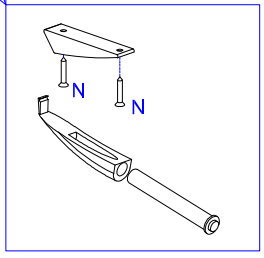
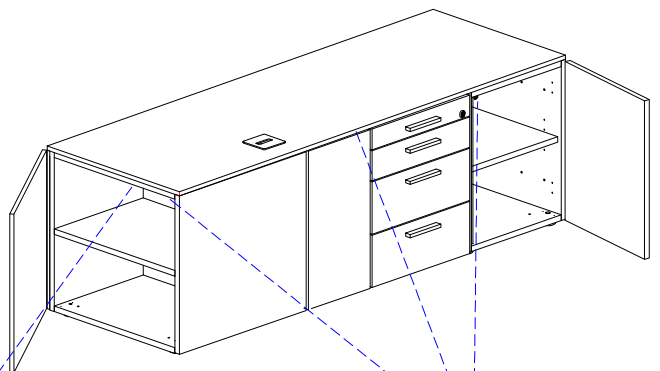
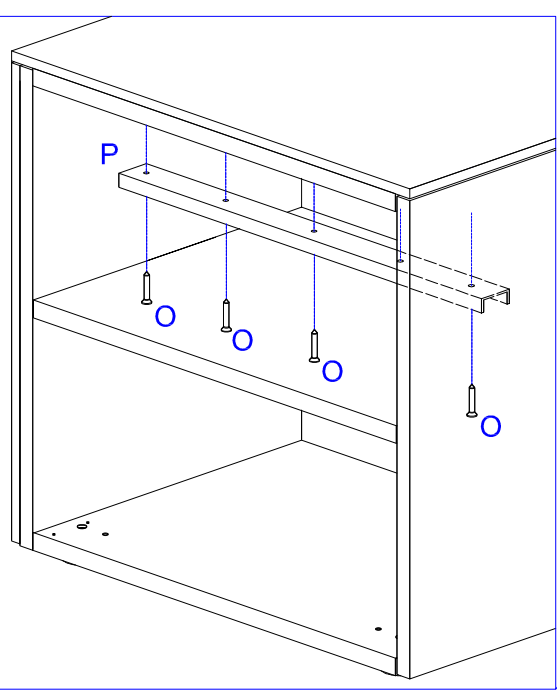
7



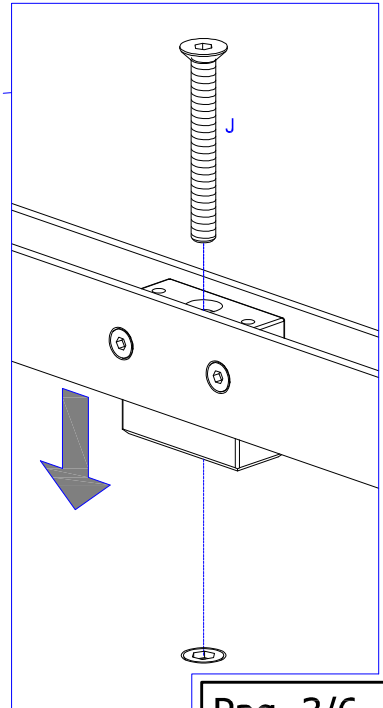
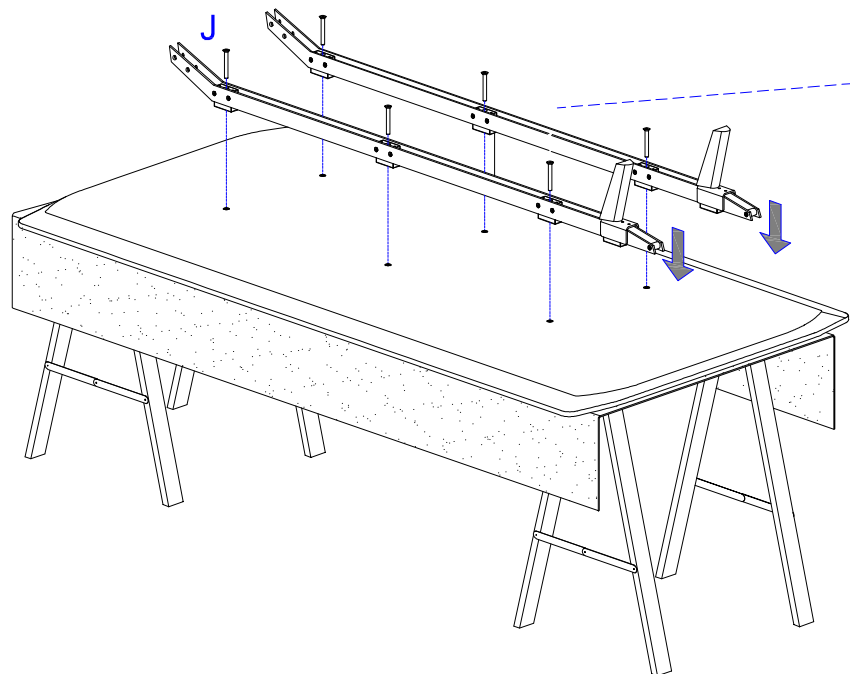
8



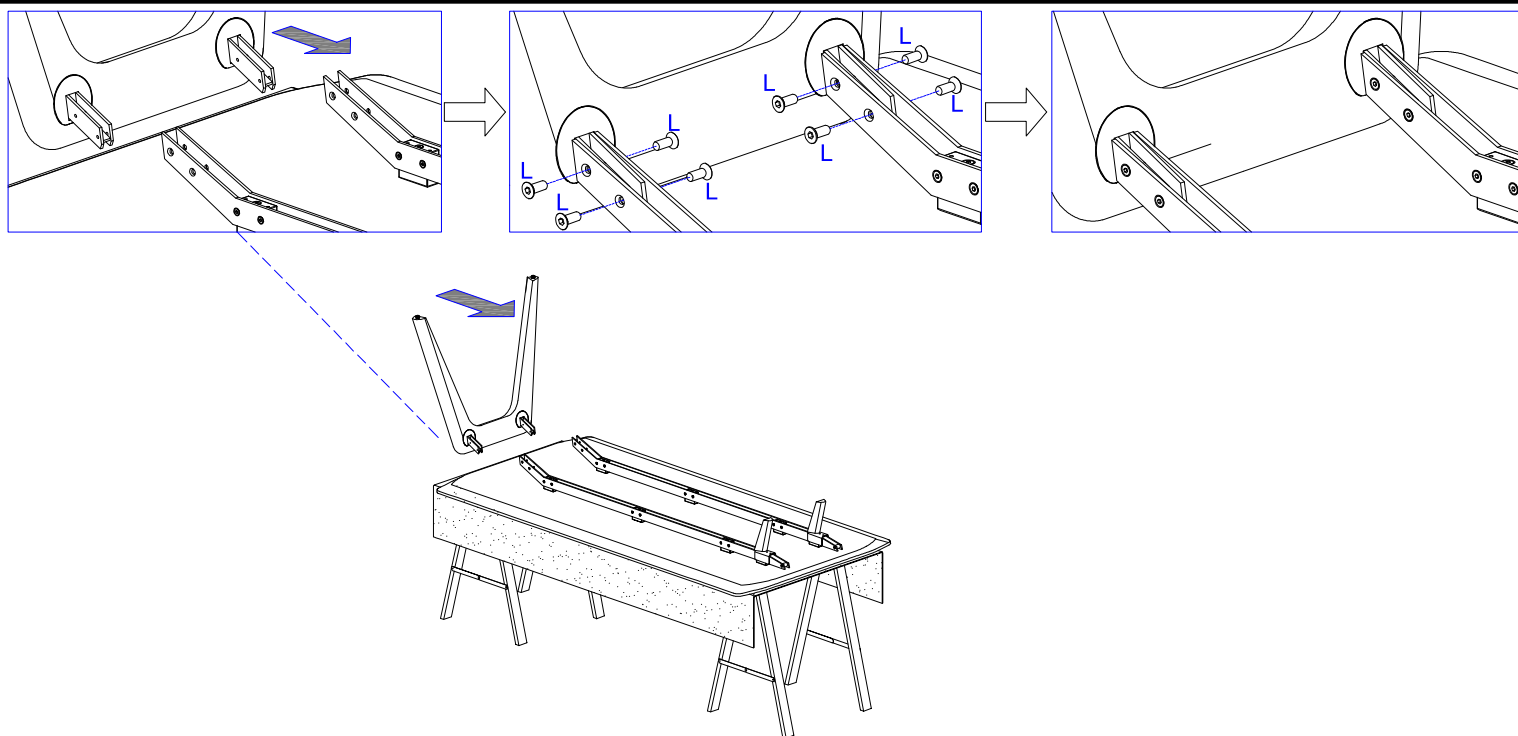
9



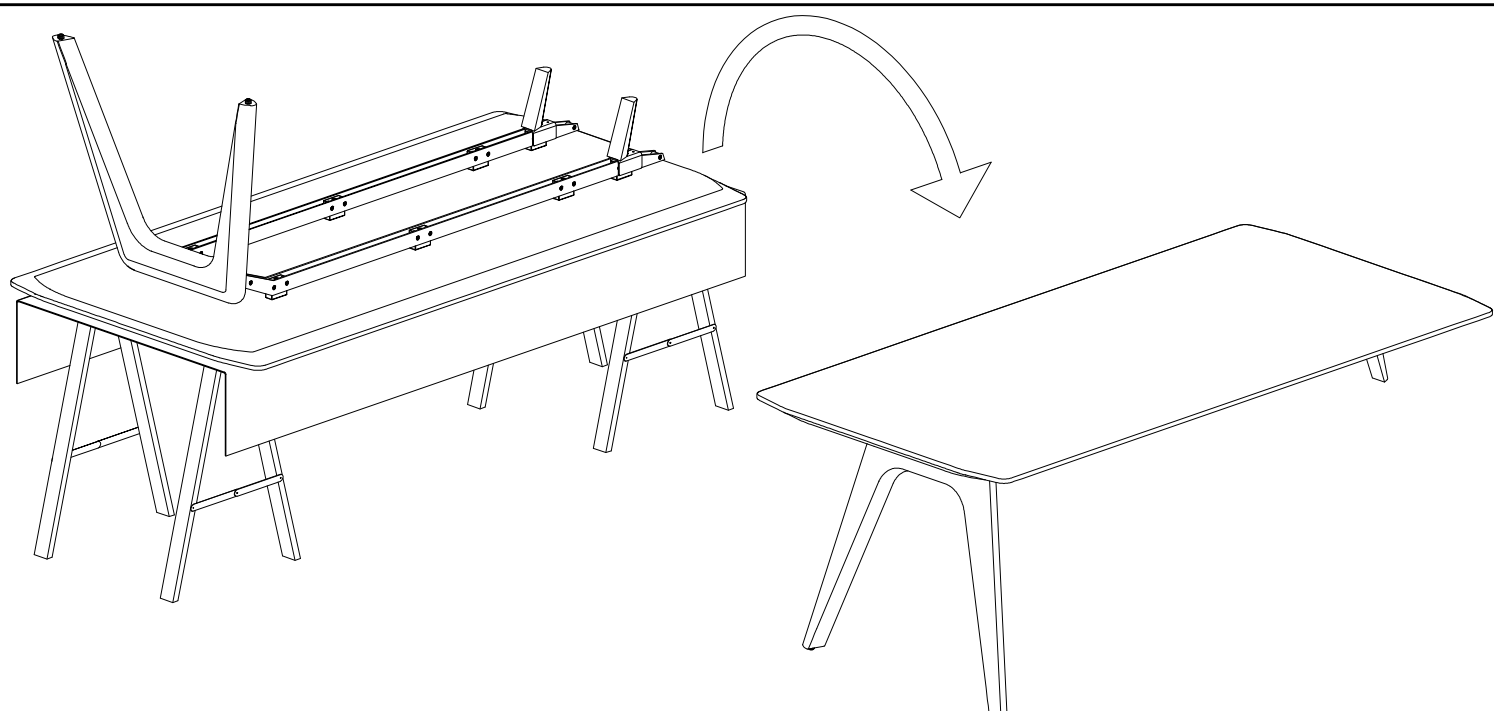
10



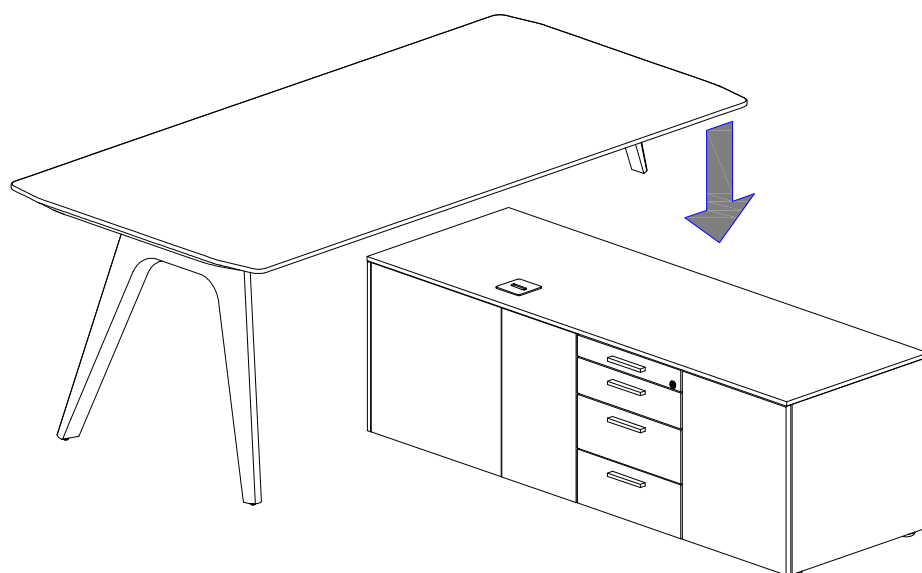
11



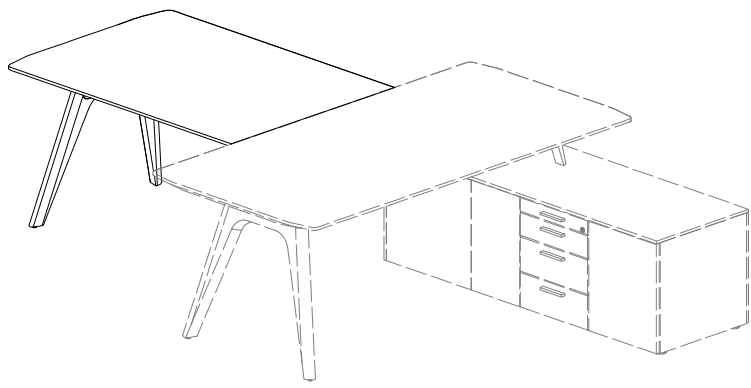
12



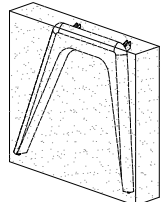
13



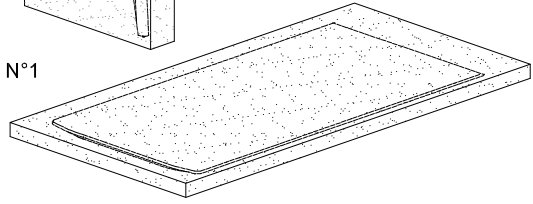
RETURN DESK



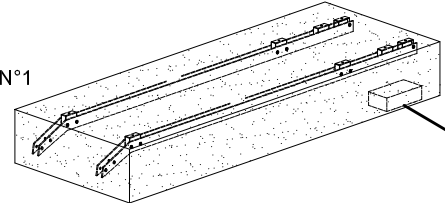
N°1



N°1



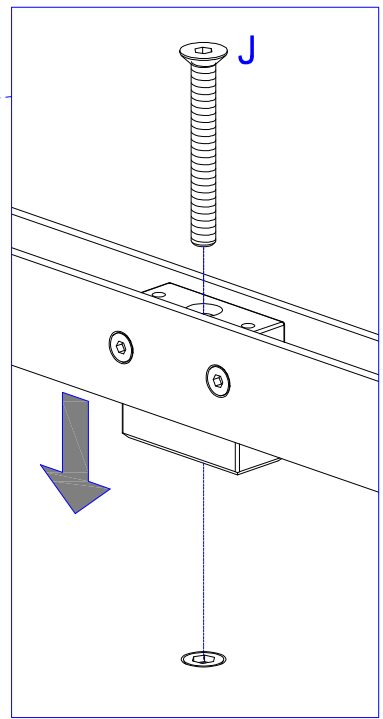
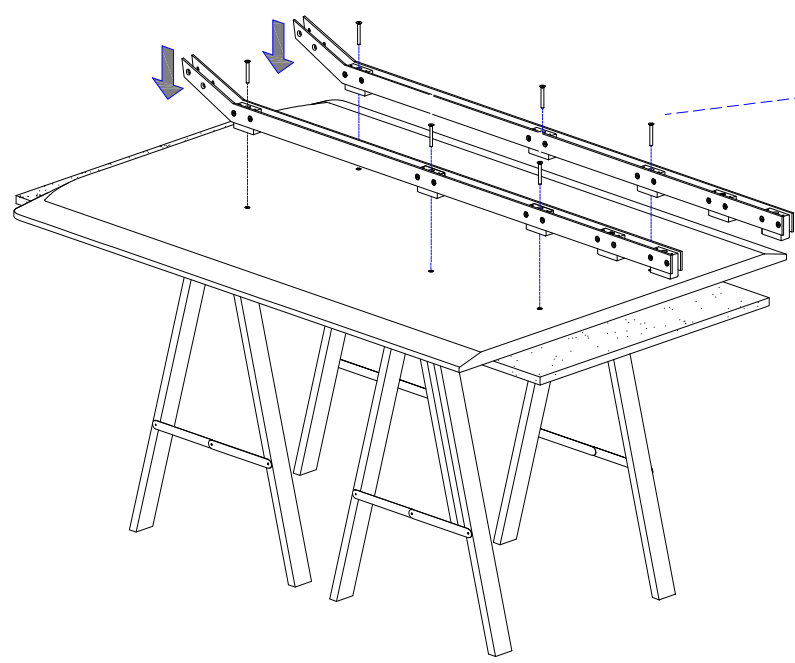
N°1



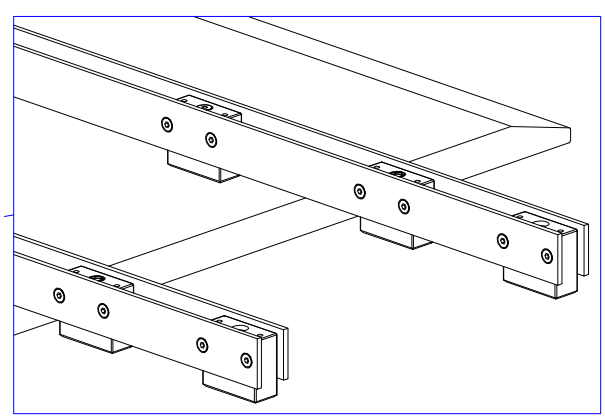
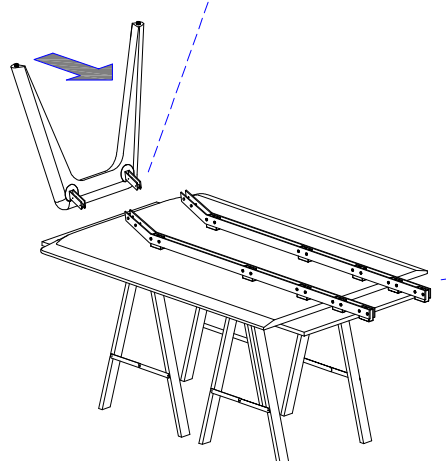
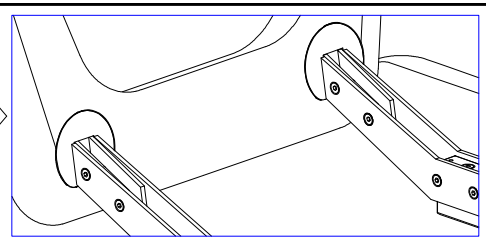
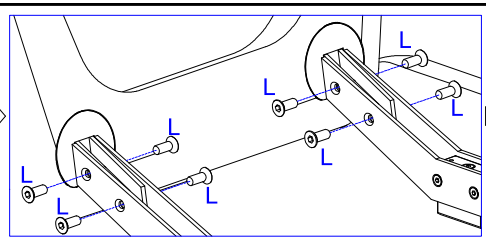
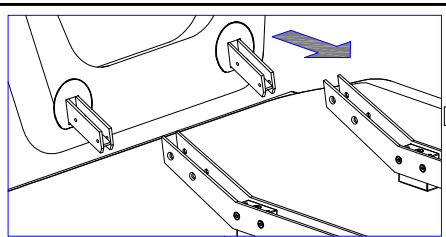
CHECK LIST

S4FESP0000365	
J	10
L	16
M	1

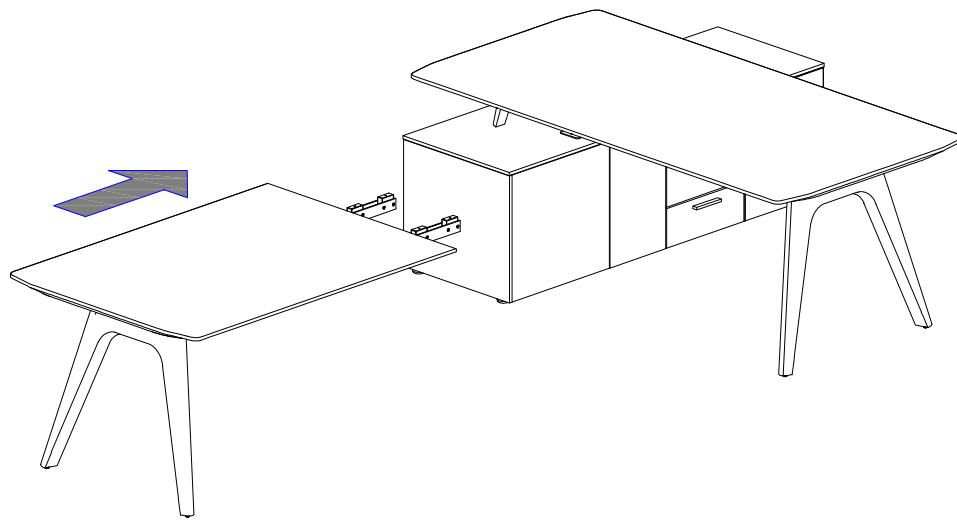
1



2



3



4

